

Single Handle Valve Only Trim Kit

Product Spec Sheet



FEATURES & BENEFITS

- Metal Lever Handle
- Metal Escutcheon

GLL-705CJP
Chrome Finish

Approvals:

Meets or Exceeds The Following:

- * ANSI/ASME A112.18.1/A112.18.1
- * IAPMO/cUPC
- * ADA Compliant



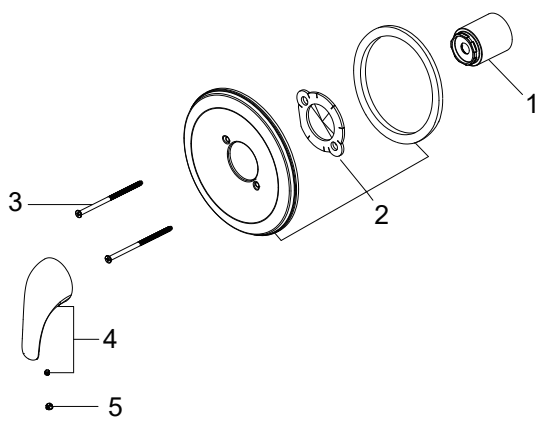
TEL: 888-649-0605

FAX: 877-892-1950

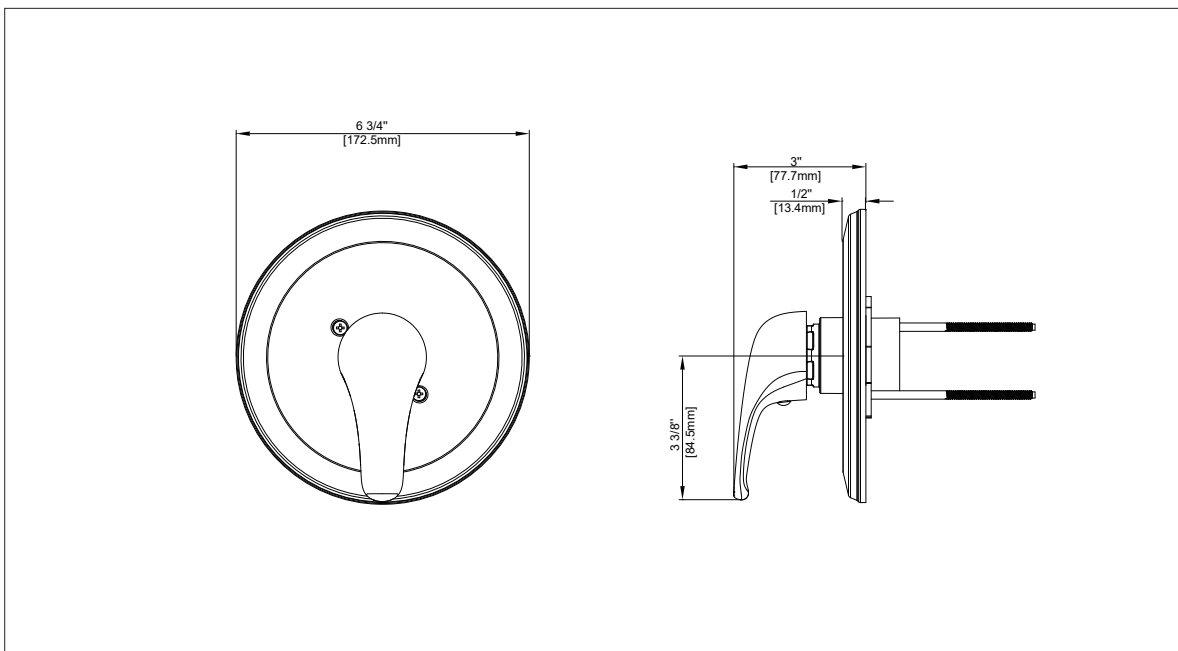
Visit Our Web Site : www.gemlinefaucets.com

Single Handle Valve Only Trim Kit

No.	Name	Part No.
1	Sleeve / Funda	RP80624*
2	Escutcheon / Placa protectora	RP80610*
3	Escutcheon screw / Tornillo de la placa protectora	RP50190*
4	Handle / Llave	RP13770*
5	Index / Índice	RP10042



* Specify Finish
* Especifique el Acabado



Product Spec Sheet